

MODEL NO.

# TVA-ASWGNVM-1A8

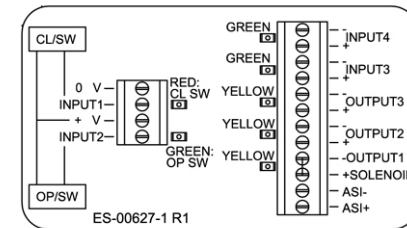
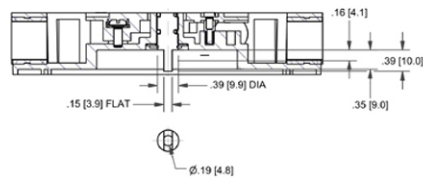
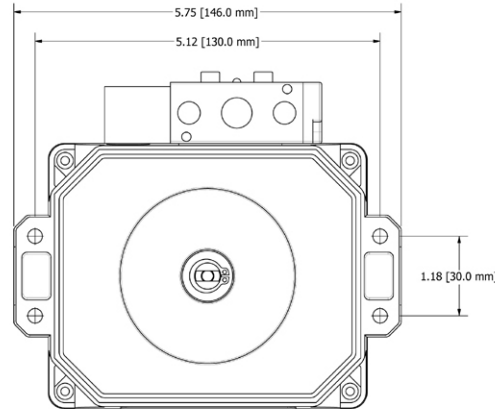
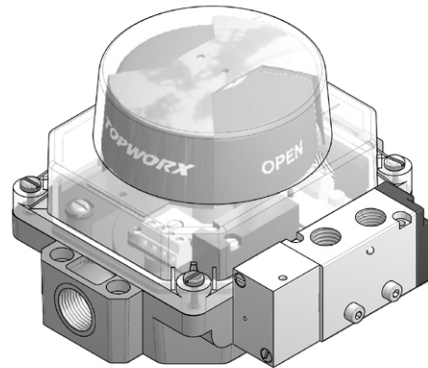
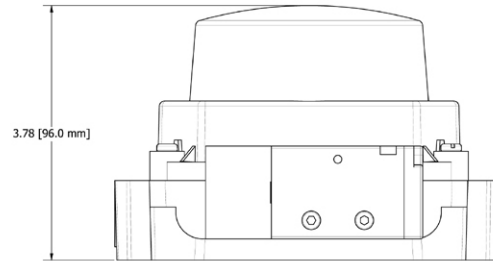
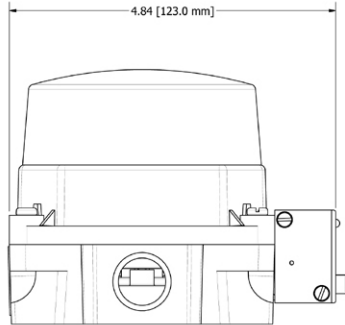
PRODUCT LINE

## Valvetop Discrete Valve Controller

SPECIFICATIONS

<b>Model</b>	Valvetop Model TVA, Resin enclosure
<b>Bus Sensor</b>	AS-Interface; (2) hermetically sealed prox switches (250mA@30VDC max)
<b>Area Classification</b>	IP68/No approvals
<b>Visual Display</b>	90° Green Open/Red Closed
<b>Shaft</b>	NAMUR, 304 Stainless Steel
<b>Conduit Entries</b>	M20 resin conduit entry M12 ASI Connector
<b>O-Rings</b>	Buna/EPDM
<b>Pilot</b>	(1) 24Vdc, .5W, fail open/closed
<b>Spool Valve</b>	Aluminum - hard coat anodized, 1.0Cv with 1/4" BSP Ports

Temperature Rating -20 °C - 60 °C



Current as of Mar

# TOPWORX

TopWorx, Inc.  
3300 Fern Valley Rd.  
Louisville, KY 40213

(502) 969-8000 ph.  
(502) 969-5911 fax  
www.topworx.com